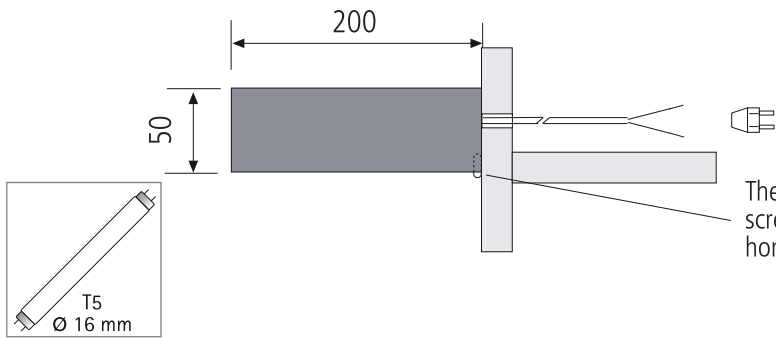


Wattage	L
8 W T5	450 mm
14 W T5	600 mm
21 W T5	900 mm
28 W T5	1200 mm



The slope of the glass shelf can be adjusted with knurled screws at the rear, to ensure that the glass is perfectly horizontal.